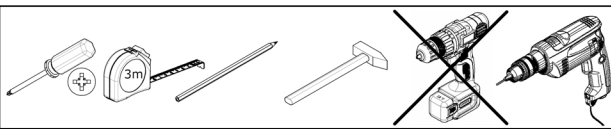
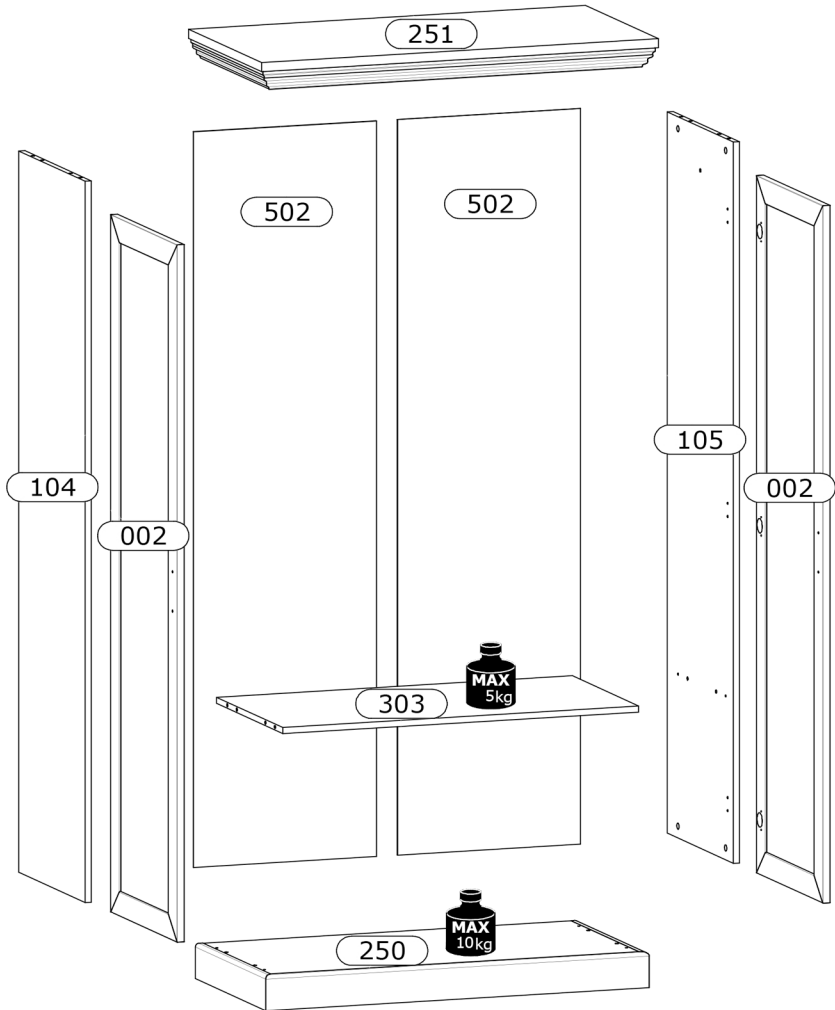
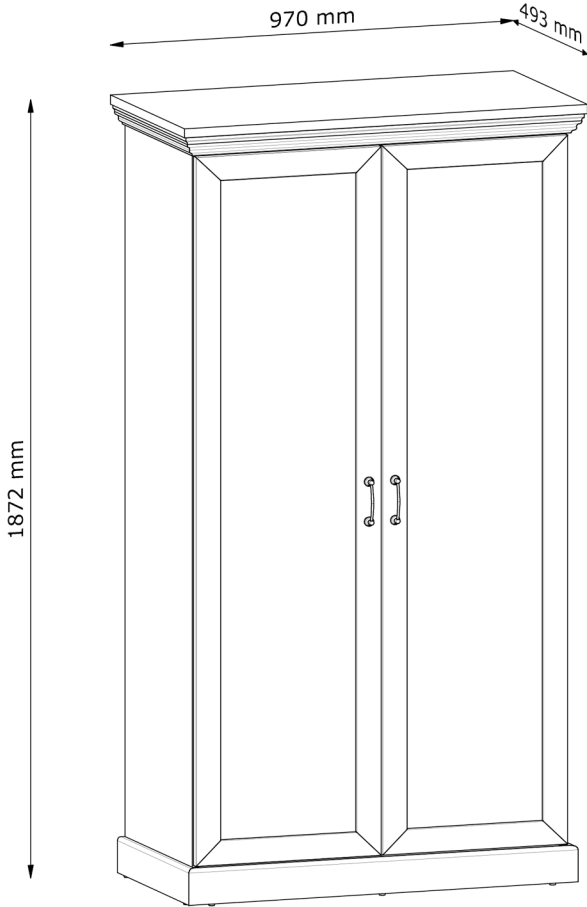


# Royal

# S2D



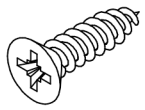
<b>A1</b> x12 Ø8x35mm	<b>B1</b> x12 Ø5x38mm	<b>C1</b> x12 Ø15x12mm	<b>D32</b> x1 L=1018mm	<b>E6</b> x2 Ø8x35mm
<b>G1</b> x46 26mm	<b>H</b> x1 1795 mm	<b>J6</b> x12 Ø21mm	<b>T4</b> x2 75x28x16 mm	<b>U7</b> x2 118x22mm
<b>W2</b> x18 Ø3,5x16mm	<b>X3</b> x4 M4x22mm	<b>Y1</b> x4 Ø8x1,5mm	<b>Y5</b> x10 Ø15x20mm	<b>Z1</b> x6 50x40, H=2
<b>Z3</b> x6 Ø35, ZK0				

No	L[mm]	W[mm]	H[mm]	PCS	BOX
002	1702	446	18	2	2/3
104	1760	445	15	1	1/3
105	1760	445	15	1	1/3
250	937	473,5	86	1	3/3
251	970	490	72	1	3/3
303	870	445	15	1	1/3
502	1795	447	2,5	2	1/3



**1**

**W2** x12



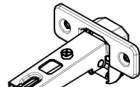
Ø3,5x16mm

**Y1** x4

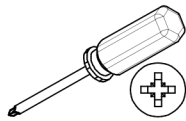
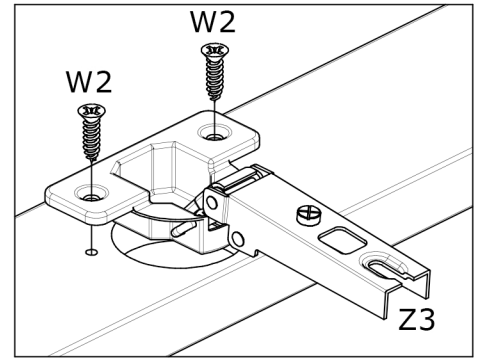
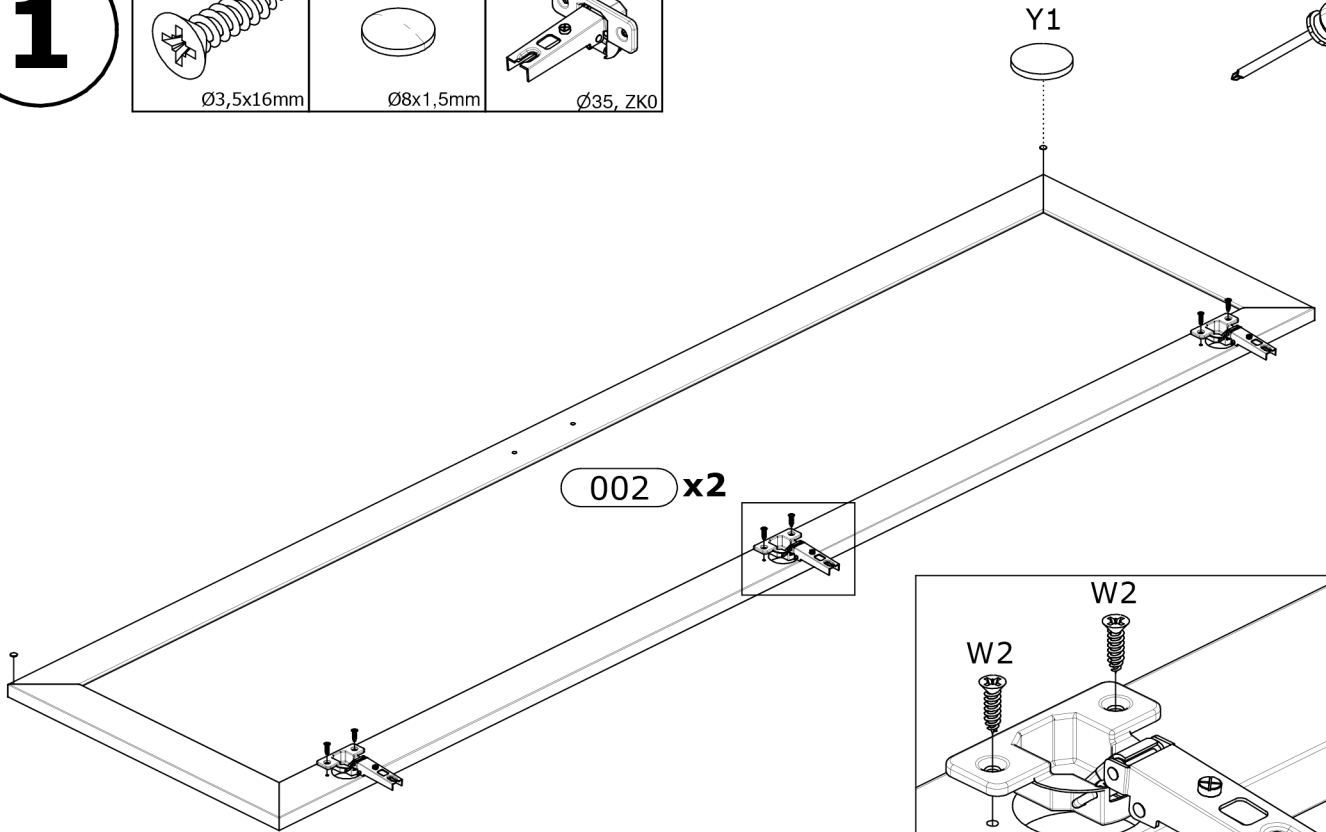


Ø8x1,5mm

**Z3** x6

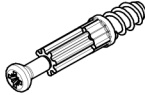


Ø35, ZK0

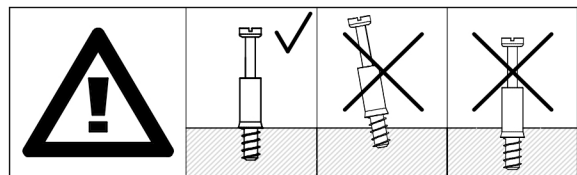
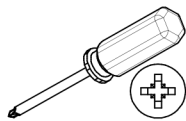
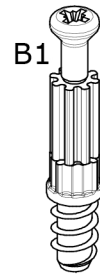
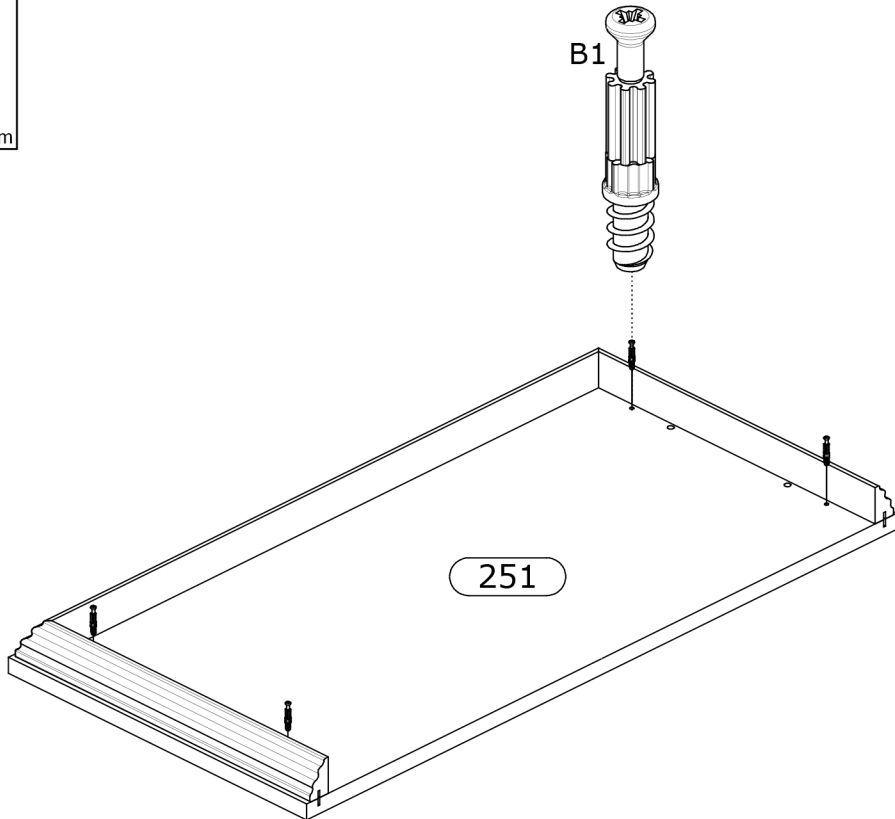


**2**

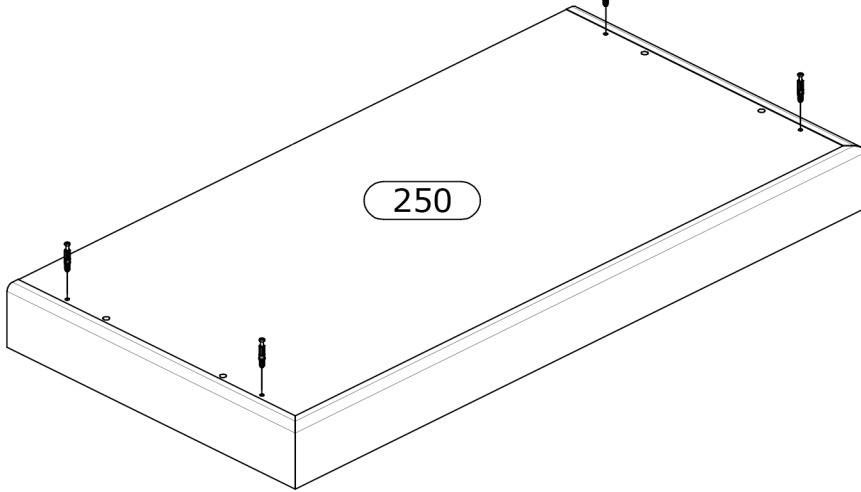
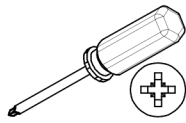
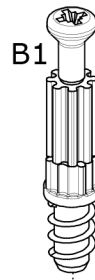
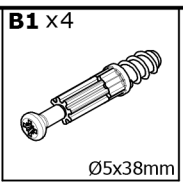
**B1** x4



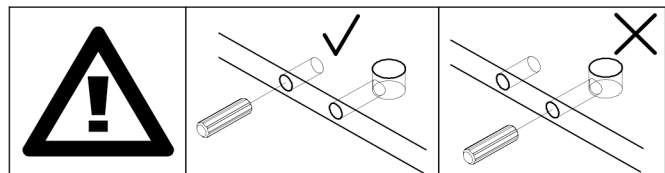
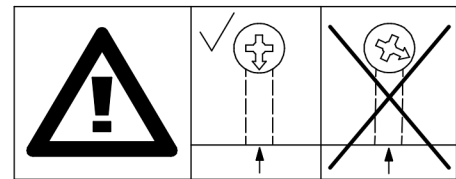
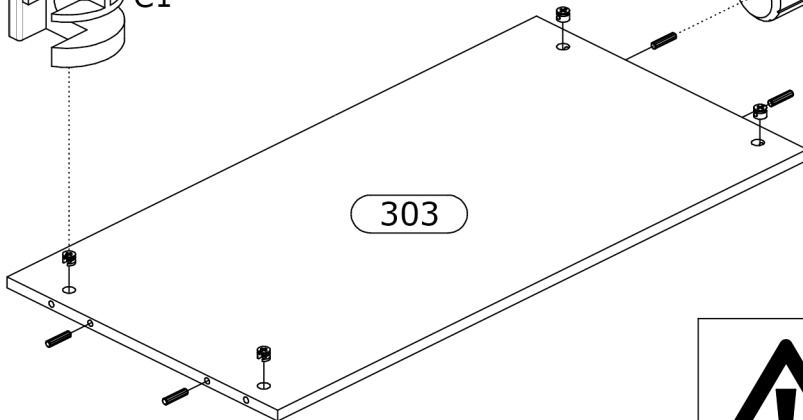
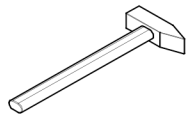
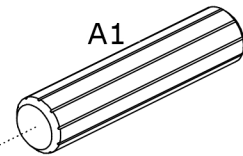
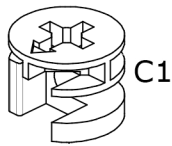
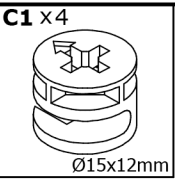
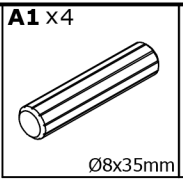
Ø5x38mm



**3**

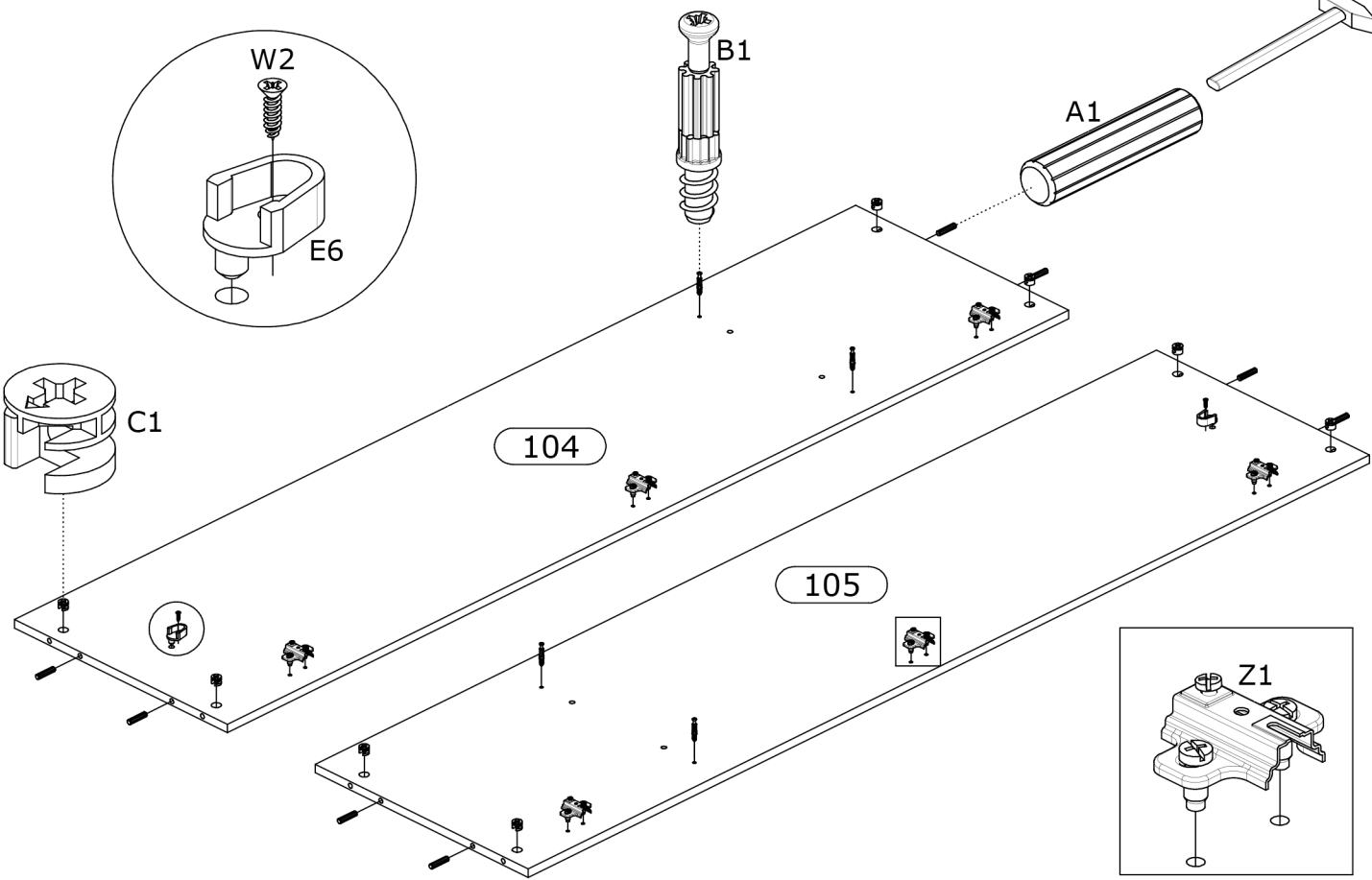
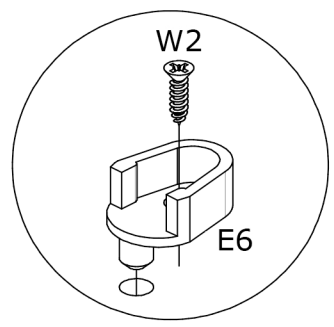
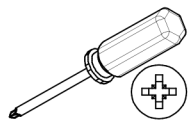


**4**

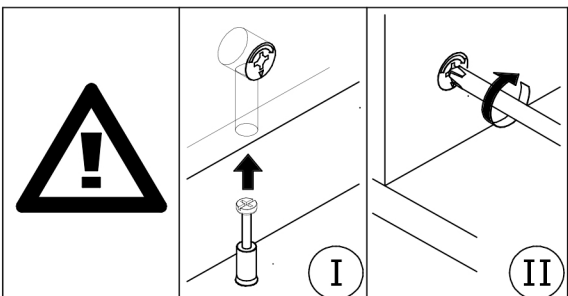
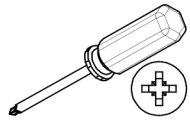
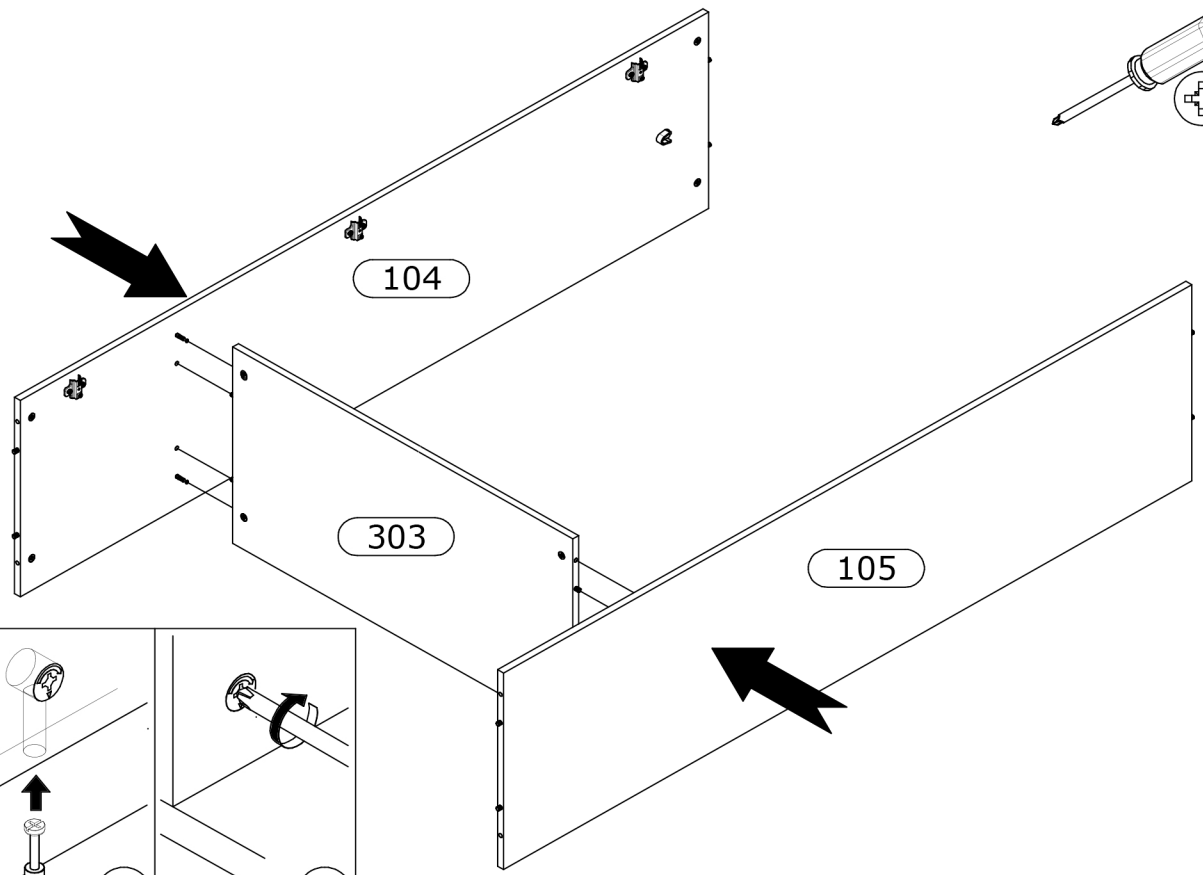


**5**

- A1** x8  $\varnothing 8 \times 35 \text{mm}$
- B1** x4  $\varnothing 5 \times 38 \text{mm}$
- C1** x8  $\varnothing 15 \times 12 \text{mm}$
- E6** x2  $\varnothing 8 \times 35 \text{mm}$
- W2** x2  $\varnothing 3,5 \times 16 \text{mm}$
- Z1** x6 50x40, H=2

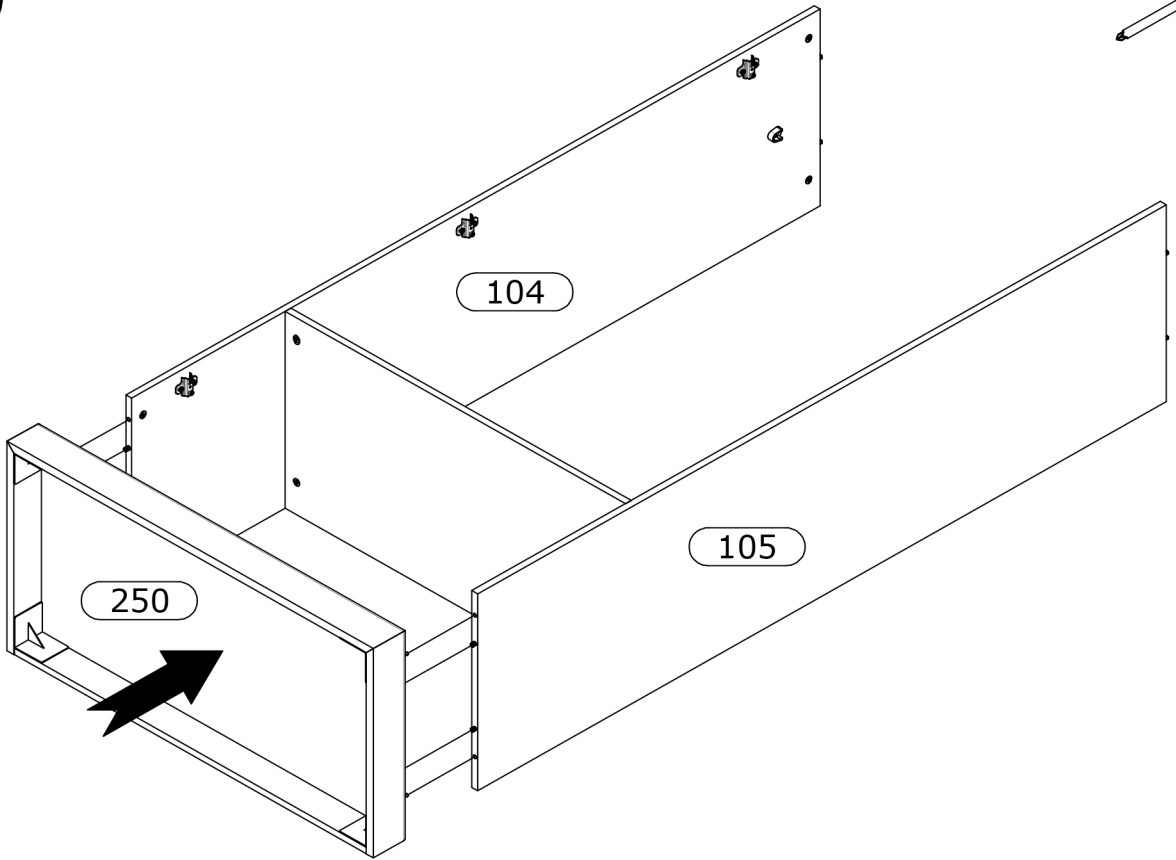
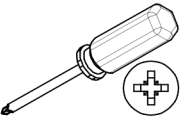


**6**

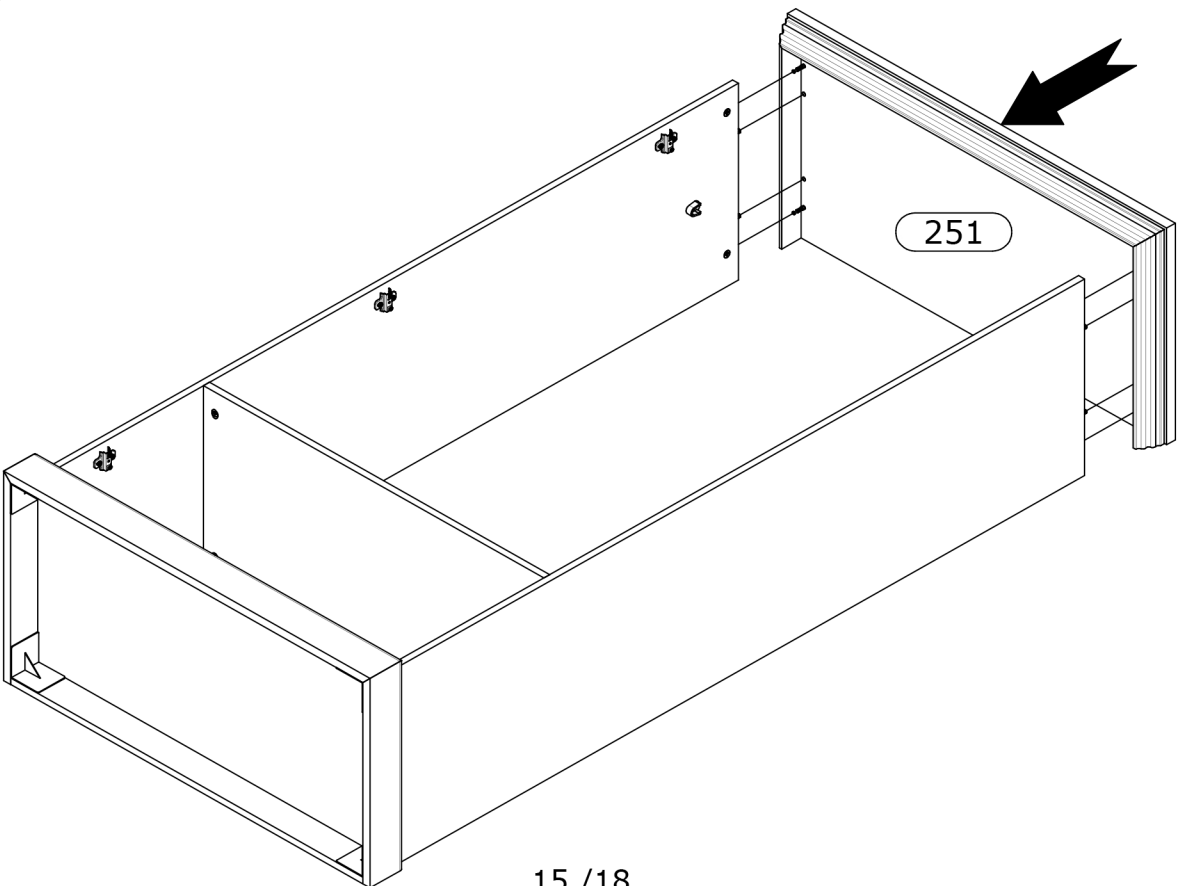
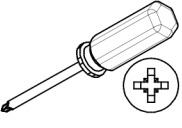




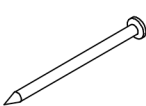
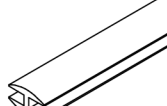

7

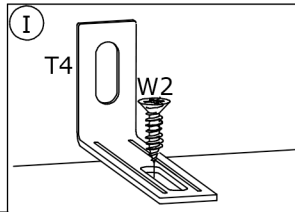
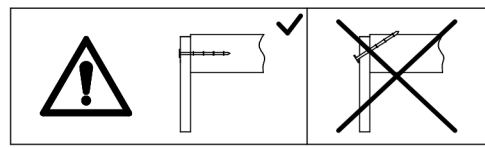
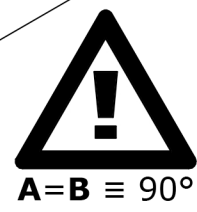
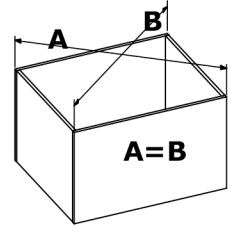
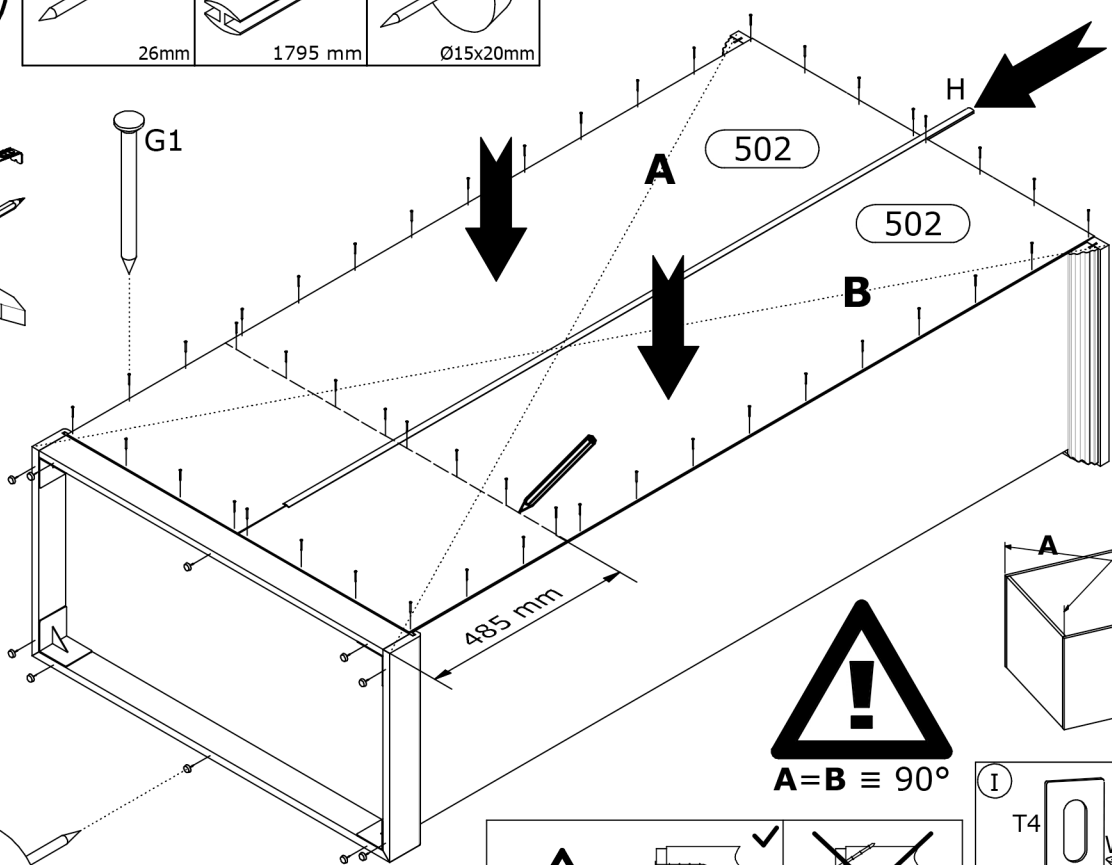
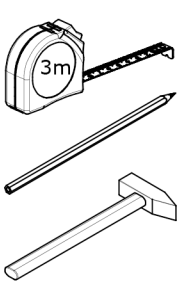


8

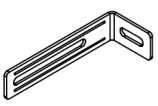
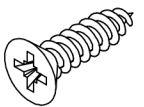


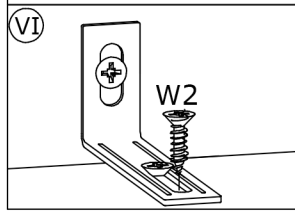
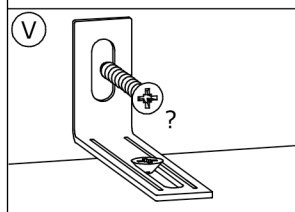
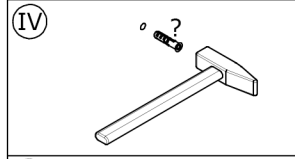
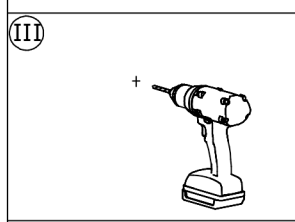
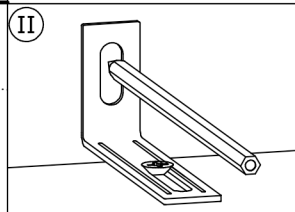
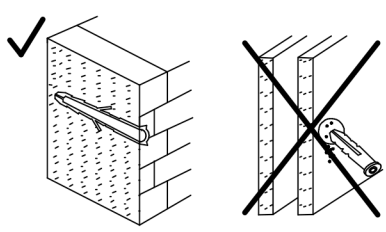
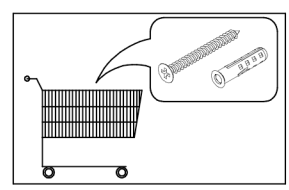
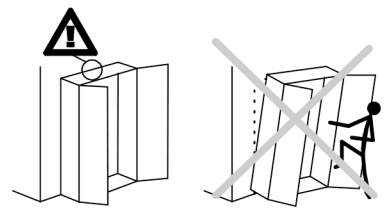
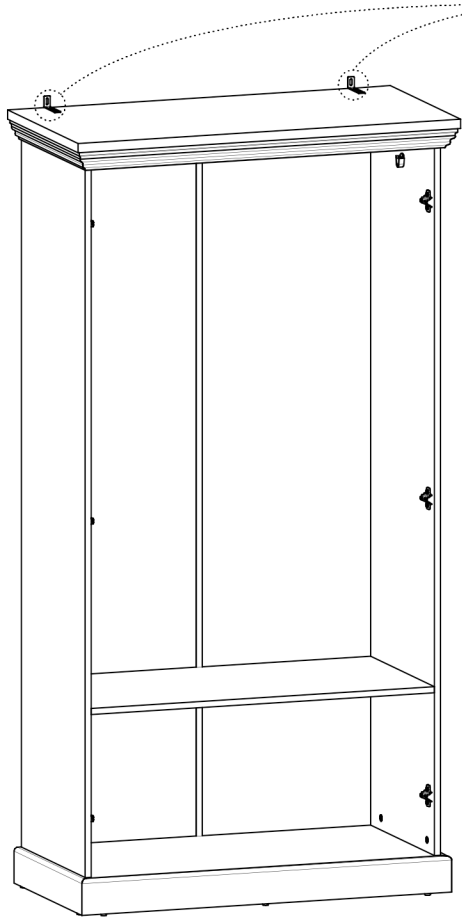
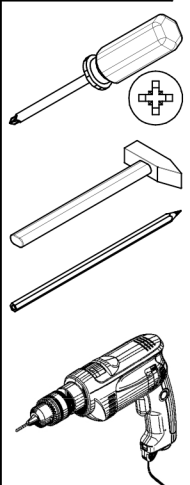
# 9

<b>G1 x46</b>  26mm	<b>Hx1</b>  1795 mm	<b>Y5 x10</b>  Ø15x20mm
---	---	---



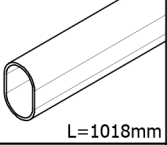
# 10

<b>T4 x2</b>  75x28x16 mm
<b>W2 x4</b>  Ø3,5x16mm

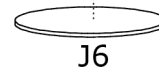
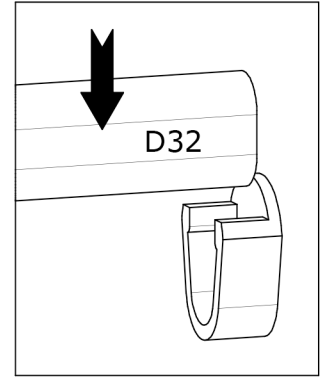
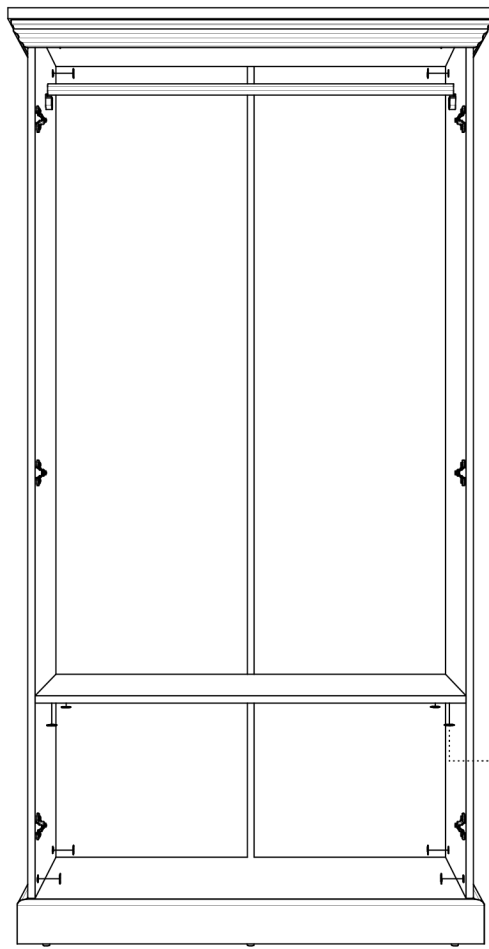
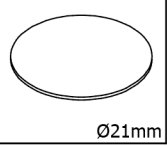


# 11

D32 x 1

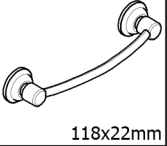


J6 x 12

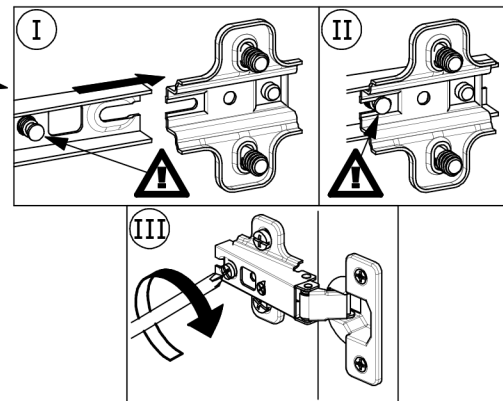
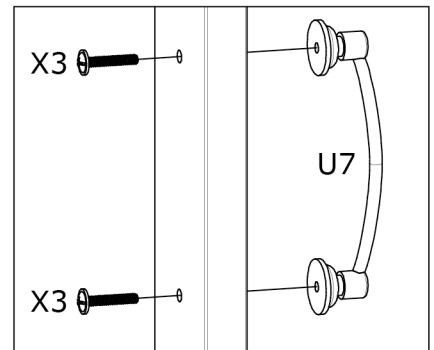
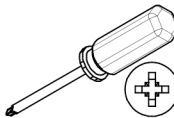
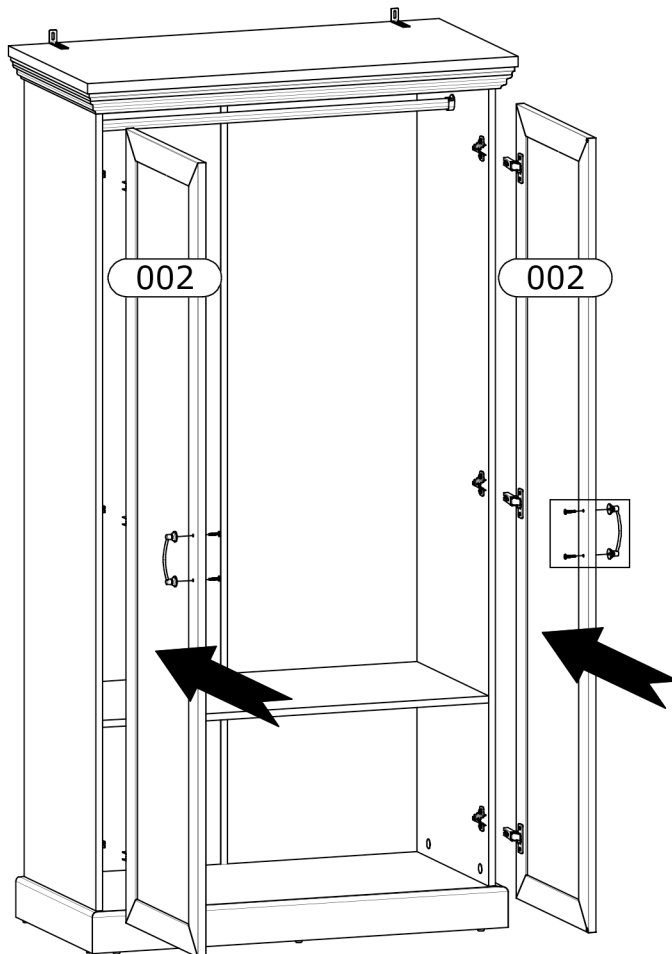
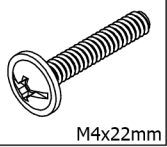


# 12

U7 x 2



X3 x 4



# 13

